



Model number: **MCL3000**

## REMOTE CONTROLLED CENTRAL LOCKING

### Owner's Operation Manual

For correct operation and warranty compliance, we recommend professional installation of this product by your authorised Mongoose dealer.

Suitable for 12volt, negative ground vehicles

## REMOTE CONTROL – 2 supplied

### BUTTON 1

#### **LOCK**

PRESS TO LOCK THE DOORS

#### **CAR FINDER**

PRESS FOR 3 SECONDS

Light flash to show where vehicle is located

### BUTTON 3

#### **BOOT RELEASE**

IF FEATURE CONNECTED. PRESS FOR 2 SECONDS TO OPEN THE BOOT



### BUTTON 2

#### **UNLOCK**

PRESS TO UNLOCK THE DOORS

Replacement remote controls. Part # MRC33 available from Mongoose dealers  
Replacement battery type. CR2016 available from all battery outlets

## OPERATING YOUR MCL3000

### LOCKING

Lock all the doors by pressing button 1 on the remote control.

The indicators will flash once to confirm locking.

The dash mounted LED will light for 10 seconds as the system checks vehicle integrity and then slow flashes.

### UNLOCKING

To unlock all the doors, press remote control button 2. Indicators will flash twice to confirm unlocking.

The dash mounted LED will turn off.

### BOOT RELEASE

If your vehicle is equipped with electric release of the boot, it can be connected to this system. This may incur additional charges. Press button 3 for 2 seconds to open the boot.

### CODE HOPPING REMOTE CONTROLS

2 water resistant remote controls are supplied with the MCL3000. Maximum 3 remotes can be used.

This coding system is completely random therefore eliminating the possibility of being copied.

7

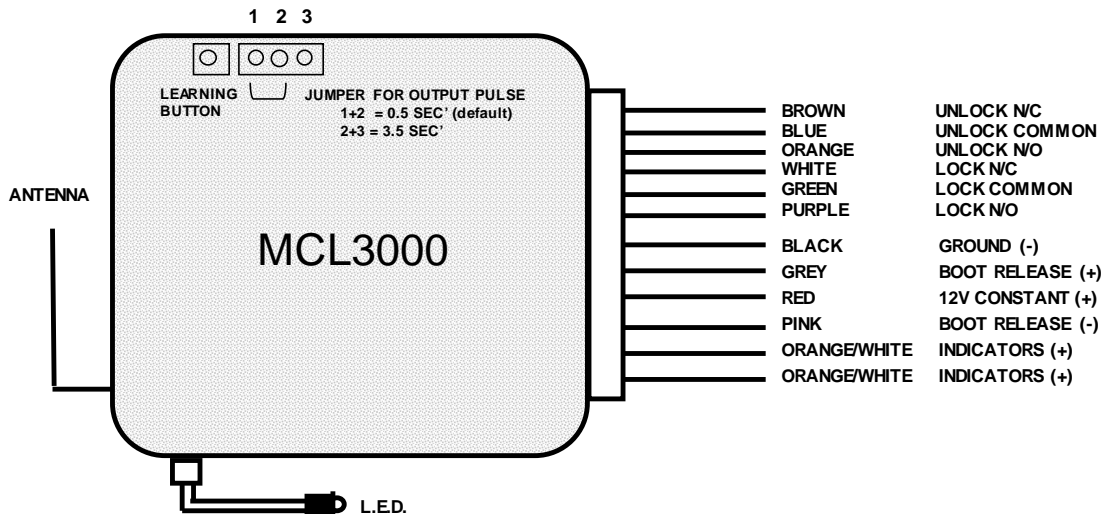
### REMOTE CONTROL CODE LEARNING

If you need to replace a remote control, it must be memorised to the alarm system before it can be used.

- a) Press the learning button on the side of the central locking module
- b) The indicators will light to confirm learning mode
- c) Press any remote button on 1<sup>st</sup> remote to learn it.
- d) Repeat 'c' for any other remotes.

## WIRING DIAGRAM

Installation to be carried out by suitably qualified persons.



Note: Boot release.

This unit provides both positive and negative output. Choose the output relative to the vehicle requirements

## MCL3000 CENTRAL LOCKING OPTIONS

### (+) POSITIVE SWITCHING

BROWN	UNLOCK N/C	NO CONNECTION
BLUE	UNLOCK COMMON	DOOR MOTOR - UNLOCK
ORANGE	UNLOCK N/O	TO 12V (+)
WHITE	LOCK N/C	NO CONNECTION
GREEN	LOCK COMMON	DOOR MOTOR - LOCK
PURPLE	LOCK N/O	TO 12V (+)

### (-) NEGATIVE SWITCHING

BROWN	UNLOCK N/C	NO CONNECTION
BLUE	UNLOCK COMMON	DOOR MOTOR - UNLOCK
ORANGE	UNLOCK N/O	TO GROUND (-)
WHITE	LOCK N/C	NO CONNECTION
GREEN	LOCK COMMON	DOOR MOTOR - LOCK
PURPLE	LOCK N/O	TO GROUND (-)

### ADD-ON DOOR MOTOR

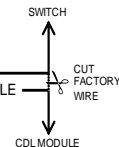
BROWN	UNLOCK N/C	TO GROUND (-)
BLUE	UNLOCK COMMON	TO MOTOR
ORANGE	UNLOCK N/O	TO 12V (+)
WHITE	LOCK N/C	TO GROUND(-)
GREEN	LOCK COMMON	TO MOTOR
PURPLE	LOCK N/O	TO 12V (+)

### REVERSE POLARITY

BROWN	UNLOCK N/C	TO CAR
BLUE	UNLOCK COMMON	TO DOOR
ORANGE	UNLOCK N/O	TO 12V (+)
WHITE	LOCK N/C	TO CAR
GREEN	LOCK COMMON	TO DOOR
PURPLE	LOCK N/O	TO 12V (+)

### SINGLE WIRE SWITCHING

BROWN	UNLOCK N/C	NO CONNECTION
BLUE	UNLOCK COMMON	CONNECT TO GREEN
ORANGE	UNLOCK N/O	TO GROUND (-)
WHITE	LOCK N/C	TO SWITCH
GREEN	LOCK COMMON	TO FACTORY CDL MODULE
PURPLE	LOCK N/O	NO CONNECTION



### VACUUM LOCKING

Refer to the Mongoose general installation manual with reference to the vehicle manufacturers recommendations

Note: For vacuum locking the output timing needs to be changed.  
See the wiring diagram for jumper timing positions.

# WARRANTY CONDITIONS

Mongoose warrants that it will make good without charge, by repair or replacement with a reasonable equivalent, at Mongoose's discretion, any defect in the product, *excluding defect in installation*, submitted for claim for a period of ONE year from date of sale provided that;

- (a) the defect has been notified to an authorised Mongoose installation centre or distributor (in the first instance to the original installation centre)
- (b) the product is less 12 months old from the date of sale and was manufactured within the last 2 years.
- (c) has been installed according to our written instructions
- (d) provision of proof of purchase and warranty registration on request.
- (e) an authorised installation centre has determined that the defect complained of is one of workmanship and not caused by;
  - (i) misuse or abuse such as misdirected current, water or fluid damage
  - (ii) operation of the product after it is known to be defective
  - (iii) accident or deliberate act
  - (iv) alteration or modification of the product, or its components, by any party not authorised by Mongoose
  - (v) the fitting of parts or accessories not supplied or approved of by Mongoose
  - (vi) any work carried out on the product by someone other than an authorised Mongoose installation centre
  - (vii) any consequential damage
  - (viii) **if the product is installed by anyone other than an approved installer a limited parts only 6 month warranty may apply**

Warranty for the installation is borne by the original installing agent only. This will be chargeable if not returned to the original installer.

Whilst every care is taken by our installers in fitting this product, Mongoose takes no responsibility for any damage caused to a vehicle in the installation process.

Responsibility is borne by the installer and any claims directed to them.

Exclusions from this warranty are;

- (i) operated outside the original country of purchase
- (ii) batteries, i.e., as fitted to the remote controls
- (iii) normal wear and tear
- (iv) transportation of repairs or replacement parts etc. to rectification centres
- (v) faults associated with the installation
- (vi) mobile service costs for repairs
- (vii) labour costs for repairs

## THIS WARRANTY IS NOT TRANSFERABLE

### DISCLAIMER:

Vehicle security locking systems are theft deterrents only.

Mongoose does not by inference, intent or any other means guarantee that a vehicle fitted with one of our systems will not be stolen, broken into, tampered with, or parts taken.

We recommend fully comprehensive vehicle insurance and home and contents insurance and to fit other security devices such as an alarm, engine immobiliser and locking wheel nuts if the vehicle has expensive wheels and tyres.

**PROOF OF PURCHASE**  
**PLEASE RETAIN FOR YOUR RECORDS**

OWNERS NAME:.....

VEHICLE MAKE:.....

ADDRESS:.....

VEHICLE MODEL:.....

.....

VEHICLE REG' NO:.....

TELEPHONE NO:.....

PRODUCT MODEL NO:...MCL3000.....

PURCHASED FROM:.....

DATE PURCHASED:.....

INSTALLED BY:.....

DATE INSTALLED:.....

INSTALLER SIGNATURE:.....

OWNERS SIGNATURE:.....

Dealer
--------

Please complete the above details, detach from this manual and keep in a safe place. These details should be presented to your Mongoose dealer in the event that you require this product to be repaired or replaced under the terms of the 'product warranty'. Refer 'Warranty Conditions'. Failure to provide this 'Proof of Purchase' may result in rectification charges being made.



Manufactured for: Mongoose (Australia) Pty Ltd  
Make: Mongoose  
Model Number: MCL3000 – module and remotes  
Country of manufacture: China  
Supply voltage: 12v DC nominal – negative ground  
Suitability: All vehicles with 12v negative earth batteries  
Date of manufacture: Refer date code on module case

**Mongoose (Australia) Pty Limited**  
**Sydney, Brisbane**  
**[www.mongoose.com.au](http://www.mongoose.com.au)**

**Mongoose (New Zealand) Limited**  
**Auckland**  
**[www.mongoose.co.nz](http://www.mongoose.co.nz)**